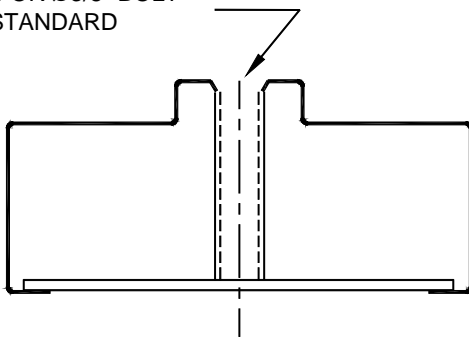


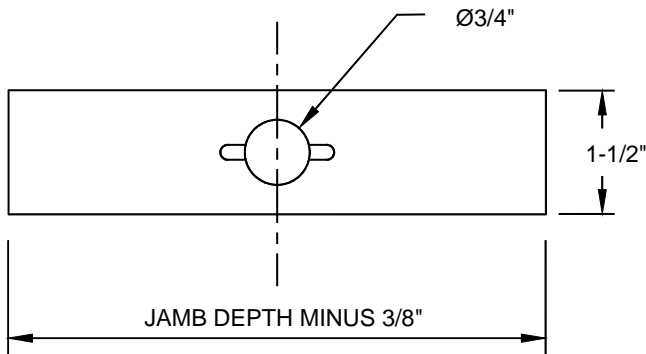
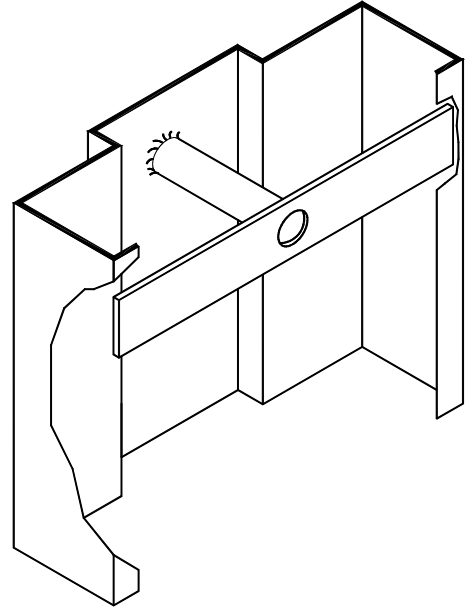
A7 PUNCH & DIMPLE MASONRY ANCHOR

GAUGE: 16
 TACK WELDED
 WHI AND UL APPROVED

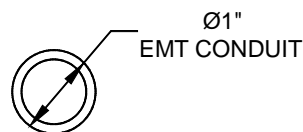
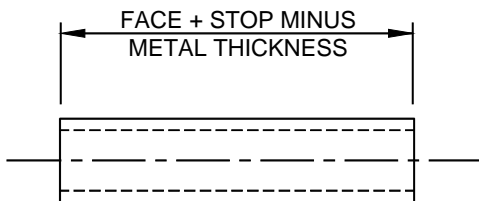
PREP FOR Ø3/8" BOLT
 STANDARD



ANCHOR BOLTS FOR FLOOR ATTACHMENT
 NOT INCLUDED



STRAP



PIPE SLEEVE