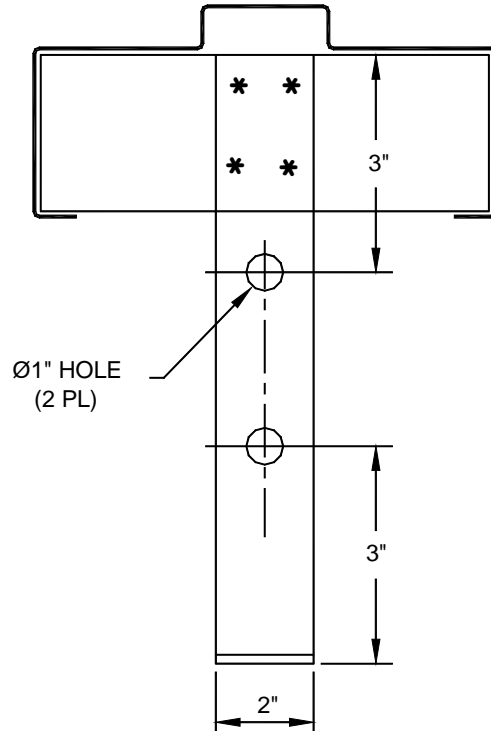
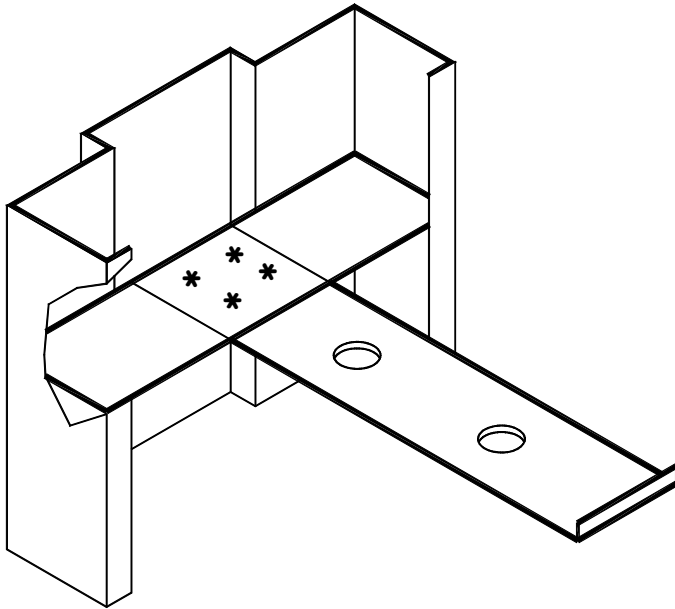


A5 MASONRY "TEE" ANCHOR

MATERIAL: GALVANNEAL
GAUGE: 16
WELDED: (4) SPOTWELDS
THIS ANCHOR SHIPS LOOSE
WHI AND UL APPROVED



ALTERNATE
A6 ANCHOR

3/16" DIA
WIRE ANCHOR

