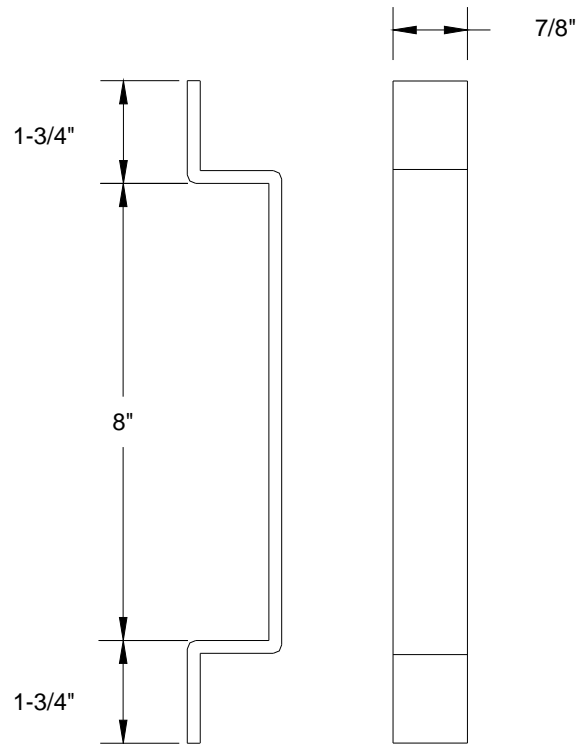
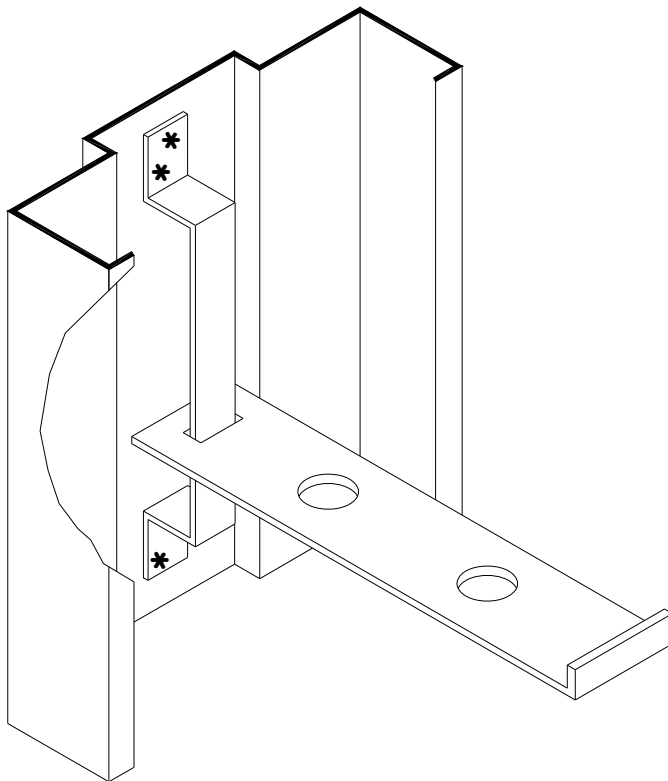
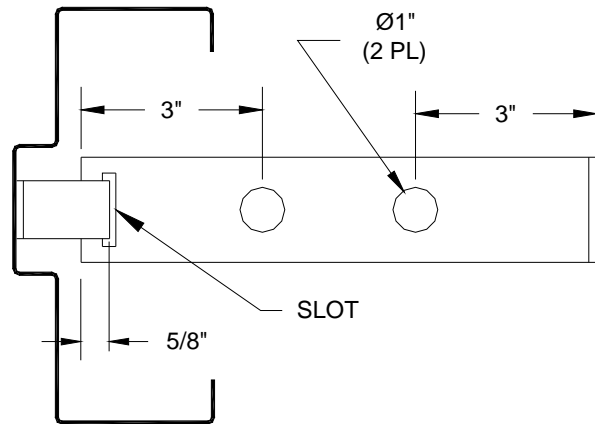


A11 ADJUSTABLE MASONRY ANCHOR

MATERIAL: GALVANNEAL
GAUGE: 16
TWO SPOT WELDS PER END
WHI AND UL APPROVED



ADJUSTABLE HAT
SECTION

